



FGHL-series

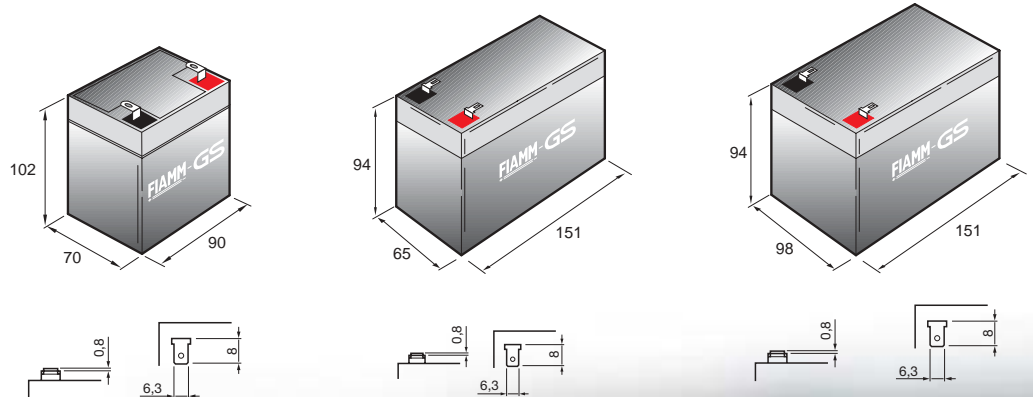
high-rate long life range

Valve regulated lead-acid batteries

Through new plate design and patented production techniques, Fiamm-GS introduces a new range of nine-years batteries designed for applications in extreme environments. This new product offers 20% more capacity and more than twice the life. It is an ideal combination of high rate performance and savings on replacement costs.

Technical information

Battery Model	FGHL20502	FGHL20722	FGHL20902	FGHL21102
Nominal Voltage	12 Volts	12 Volts	12 Volts	12 Volts
Nominal Capacity	5.0 Ah	7.2 Ah	9.0 Ah	11 Ah
Dimensions	90x70x102 mm	151x65x94 mm	151x65x94 mm	151x98x94 mm
with terminals	105.5 mm	98 mm	98 mm	98 mm
Weight	2.0 kg	2.7 kg	2.9 kg	4.3 kg
Energy Density	93.4 Wh/l	93.6 Wh/l	112.5 Wh/l	112.5 Wh/l
Specific Energy	30.0 Wh/kg	32.0 Wh/kg	38.5 Wh/kg	38.5 Wh/kg
Internal Resistance of Fully Charged Battery	18 mΩ	13 mΩ	13 mΩ	13 mΩ
Maximum discharge with standard terminals	30 A	43.2 amperes	54 amperes	72 A
Maximum 5-second discharge current	75 A	108 amperes	135 amperes	180 A
Charge Voltage	Cyclic use 14.4 - 14.7 V	14.4 - 14.7V	14.4 - 14.7 V	14.4 - 14.7V
Float use	13.5 - 13.8 V	13.5 - 13.8 V	13.5 - 13.8 V	13.5 - 13.8 V
Maximum Charge Current	1.25 A (C/4)	1.8 A (C/4)	2.25 A (C/4)	3 A (C/4)
Terminals	Faston 6,3 (US: F2)	Fast-on 6,3 (US: F2)	Fast-on 6,3 (US: F2)	Fast-on 6,3 (US: F2)
Vibration Test	No loss in capacity or performance (2,000 cycles/minute, 2.5 mm excursion)			
Shelf Life at 20°	1 month 3 months 6 months	97% 91% 82%	97% 91% 82%	97% 91% 82%
Storage Temperature	-20°C to 40°C			
Operating Temperature	Charge Discharge	0°C to 40°C -20°C to 50°C	0°C to 40°C -20°C to 50°C	0°C to 40°C -20°C to 50°C
Case Material	Synthetic Resin (ABS) UL-94 (V0 plastic available upon request)			
Life Expectancy	5-9 years according to Eurobat standards			



FIAMM-GS



Valve regulated lead-acid batteries

Typical discharge power at 25°C (W)

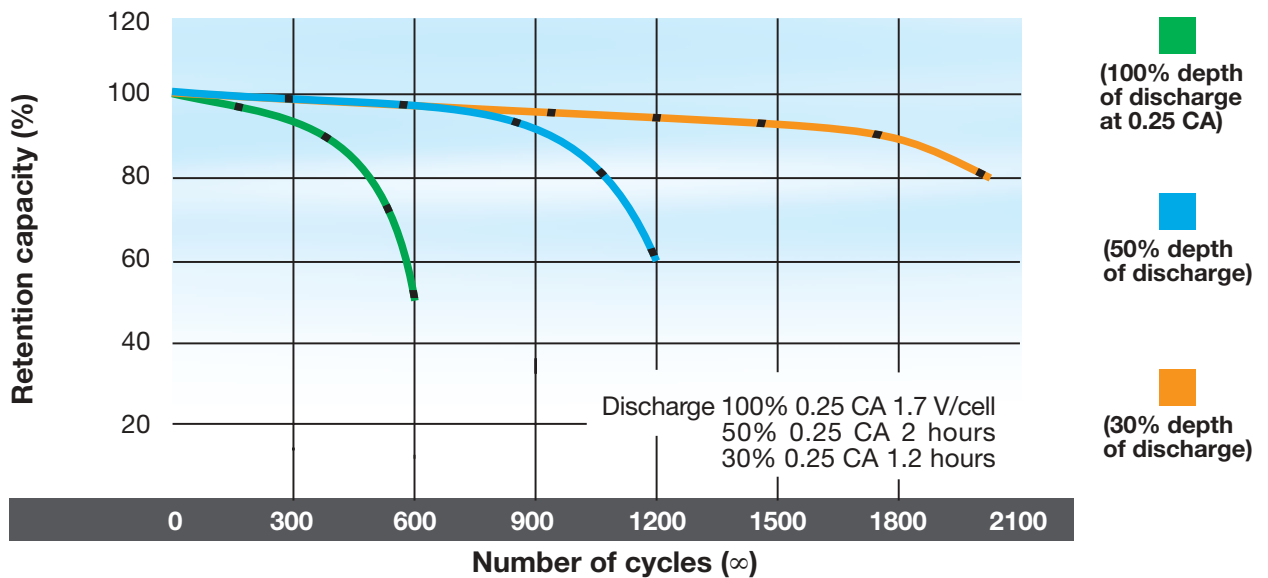
FGHL20502 12V 5Ah					
Time	5'	10'	15'	30'	60'
1.8 V/Cell	228	152	118	72	44
1.7 V/Cell	260	170	126	76	45
1.6 V/Cell	270	176	132	78	46

FGHL20722 12V 7.2Ah					
Time	5'	10'	15'	30'	60'
1.8 V/Cell	310	215	170	110	66
1.7 V/Cell	355	240	180	113	68
1.6 V/Cell	375	250	190	116	70

FGHL20902 12V 9Ah					
Time	5'	10'	15'	30'	60'
1.8 V/Cell	350	242	198	116	68
1.7 V/Cell	380	255	203	117	69
1.6 V/Cell	390	260	207	118	70

FGHL21102 12V 11Ah					
Time	5'	10'	15'	30'	60'
1.8 V/Cell	503	337	267	172	104
1.7 V/Cell	550	374	287	180	106
1.6 V/Cell	586	390	295	182	107

Lifetime in cyclic use



FIAMM-GS

Viale Europa, 63
36075 Montebelluna Maggiore - VICENZA - ITALY
Tel. +39 0444 709350 (r.a.) - Fax +39 0444 709360
<http://www.fiamm-gs.com>