



The PMF range is composed by maintenance free stationary monoblocs with tubular plates.

PMF provides long time discharge performances due to high specific capacity tubular plates and good high rate discharge due to a technical design aimed to reduce internal resistance. The interval between two subsequent filling up operations exceeds 3 years in floating conditions at 20°C.

FIAMM has a program of continuous improvement investing in manufacturing processes, equipment and technology. FIAMM's Standby Battery manufacture conforms to ISO 9001 and ISO 14001 quality assurance. Our continuous investment in battery technology is reflected by means of premium products that are of the highest quality and reliability. FIAMM's PMF tubular vented lead acid batteries are the ideal energy source for many different standby applications.

TECHNICAL CHARACTERISTICS

- ▶ Very low self-discharge rate
- ▶ Visual control of the electrolyte level
- ▶ Good discharge rate

APPLICATIONS

- ▶ Emergency lighting
- ▶ Alarm systems
- ▶ UPS systems
- ▶ Photovoltaic systems / renewable energies

APPLICABLE STANDARDS

- ▶ IEC 896 part 1.

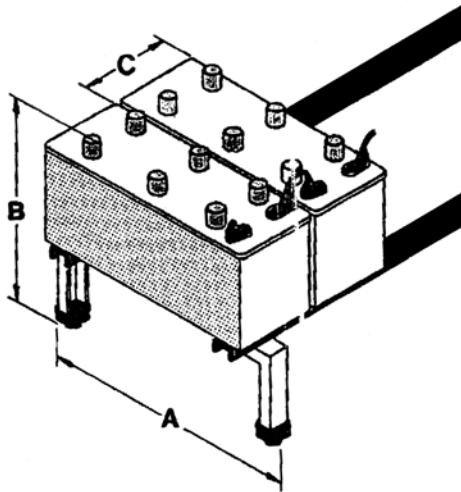


PRODUCT PLUS

- ▶ Safety
- ▶ Reliability
- ▶ Long life
- ▶ Reduced maintenance

PMF range

394581
07.03



TYPE	A	B	C
	mm	mm	mm
12 PMF 25	250	490	270
12 PMF 50	250	490	320
12 PMF 75	650	490	185
12 PMF 100	650	490	225
12 PMF 125	650	510	285
12 PMF 150	650	510	285
6 PMF 200	650	490	225
6 PMF 250	650	510	285
6 PMF 300	650	510	285

TYPE	NOMINAL VOLTAGE (Volt)	NOMINAL CAPACITY in Ah at 20°C			WEIGHT without electrolyte in kg	WEIGHT with electrolyte in kg	DIMENSIONS (mm)		
		10 hours	3 hours	1 hour			L	W	H
12 PMF 25	12	25	20	15	7.5	14.5	260	175	240
12 PMF 50	12	50	40	30	14.5	22.5	310	178	240
12 PMF 75	12	75	60	45	20.0	32.5	510	175	245
12 PMF 100	12	100	80	60	28.0	44.0	510	216	245
12 PMF 125	12	125	100	75	34.0	53.5	510	278	256
12 PMF 150	12	150	120	90	39.5	58.0	510	278	256
6 PMF 200	6	200	160	120	26.0	42.5	510	216	245
6 PMF 250	6	250	200	150	34.0	53.0	510	278	256
6 PMF 300	6	300	240	180	40.0	58.5	510	278	256

ELECTRICAL CHARACTERISTICS

- ▶ **FLOAT VOLTAGE PER CELL:** 2,23 Volts
- ▶ **RECHARGE VOLTAGE PER CELL:** 2,4 Volts
- ▶ **SELF DISCHARGE AT 20°C:** 2% monthly
- ▶ **MAXIMUM SHORT CIRCUIT CURRENT:** 10 x C₁₀ (Amperes)
- ▶ **INTERNAL RESISTANCE PER CELL:** 0,16/C₁₀ (Ohm)

FIAMM
www.fiamm.com