



# U-GEL RANGE



## BATTERIES FEATURES

- ▶ Long life (more than 15 years\*)
- ▶ Easy to install and handle
- ▶ Delivered ready to use
- ▶ Flame arrest safety device
- ▶ Insulated shrouding covers
- ▶ Easy access voltage measurement
- ▶ reinforced container
- ▶ Very low self-discharge
- ▶ Very reliable post seal design

\* under normal operating conditions

The FIAMM U-GEL valve regulated lead acid battery offers the benefits of accessible front terminals.

The front terminal design on all U-GEL batteries reduces installation time and simplifies maintenance. System reliability is enhanced and cost is reduced. The front access terminals are fully insulated by terminal covers thus ensuring electrical safety. The terminal covers have a specially designed probe hole allowing safe and easy voltage readings to be taken. The front terminal design minimizes overall footprint and facilitates a more compact battery layout in both cabinets and on racks.

The new grid design has very thick positive plates thus ensuring long life with excellent performance at all discharge rates.

The highest level of quality is assured by FIAMM's adherence to ISO 9001 quality procedures.

## APPLICABLE STANDARDS

- ▶ IEC 896 Part 2
- ▶ BS 6290 Part 4
- ▶ Eurobat Guide - "long life"



## PRODUCT FEATURES

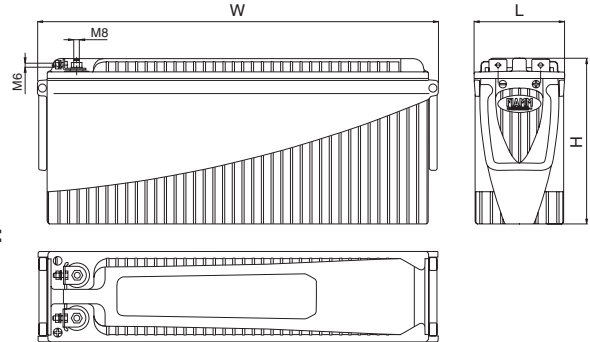
- ▶ 12 Volt monoblocs fits 23" rack/cabinet
- ▶ 16 Volt monoblocs fits 19" rack/cabinet
- ▶ Easy unpacking (new handles)
- ▶ Remote venting system
- ▶ Flexible connection system

Standby Batteries



## ELECTRICAL CHARACTERISTICS

- ▶ **Battery Float Voltage (at 25°C):**  
13.5 Volt for 12 Volt monoblocs  
18.0 Volt for 16 Volt monoblocs
- ▶ **Float Voltage compensation with Temperature:**  
-15 mV/°C for 12 Volt monoblocs  
-20 mV/°C for 16 Volt monoblocs
- ▶ **Self-Discharge at 25°C:** < 1% / month



BATTERY TYPE	NOMINAL VOLTAGE (V)	NOMINAL CAPACITY (Ah) 10 hours 1.80 Vpc	INTERNAL RESISTANCE (mohm) IEC 896-2	SHORT CIRCUIT CURRENT (A) IEC 896-2	DIMENSIONS (mm)			WEIGHT (kg)
					L	W	H	
12 U-GEL 50	12	50	13	1200	108	395	200	22
12 U-GEL 90	12	90	4.4	2800	126	558	230	43.5
12 U-GEL 100	12	100	4.1	3000	126	558	270	53.6
12 U-GEL 135	12	135	3.9	3200	126	558	320	63.7

## TECHNICAL FEATURES

- ▶ **CONTAINER:** ABS flame retardant in accordance to IEC 707, UL 94 and BS 6334
- ▶ **LID:** Lid is automatically heat sealed to the container
- ▶ **PLATES:** Extra thick flat pasted type of high quality Lead Calcium Tin alloy
- ▶ **SEPARATORS:** Microporous
- ▶ **VALVES:** Low pressure safety release venting system for each cell
- ▶ **TERMINALS:** Front terminals with threaded pillars M6 (front) or M8 (on the top)
- ▶ **CONNECTIONS:** Connection can be made on the front, on the top, or (turning the plate on the pillars) on the longer side of the monobloc.

