

PLUG SYSTEMS FOR PHOTOVOLTAIC SYSTEMS

Multi-Contact plug system MC 4

PV-KST4...



PV-KBT4...



PV-AZS4



PV-AZB4



Crimping tool PV-CZM-19100
(2,5/4/6 mm²)



Installation wrench set PV-MS



Insulation stripper PV-AZM
(1,5/2,5/4/6 mm²)



Assembly case PV-WZ4 set



PRODUCT ADVANTAGES:

Rate current
Max. 30 A for 4 mm², 6 mm²
Max. 22 A for 2.5 mm²

System voltage max. 1000 V

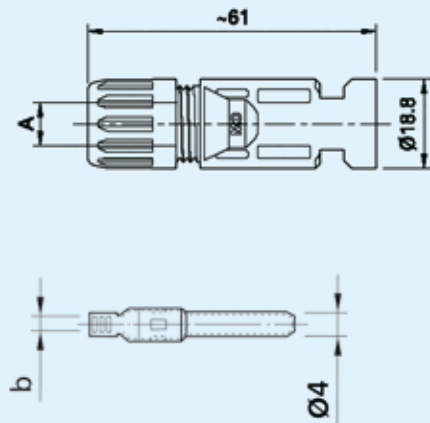
Protection degree (when connected) IP 67

Easy installation

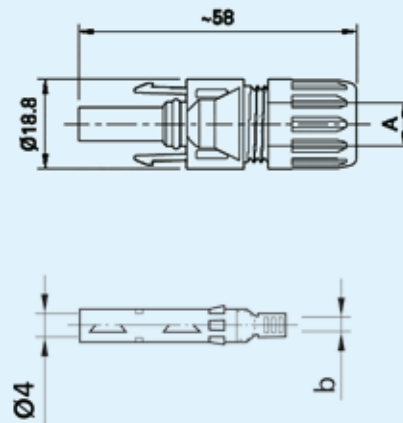
"Snap in" locking system

Protection class II

Temperature range -40 °C ... +90 °C



PV coupler plug PV-KST4...



PV coupler socket PV-KBT4...

| Type | A (Ø-range of cable gland) | B (Reference dimension) | (Conductor cross-section) |
|---------------|-------------------------------|----------------------------|---------------------------|
| PV-KST4/2.5I | 3–6 mm | 3 mm | 1.5–2.5 mm ² |
| PV-KBT4/2.5I | 3–6 mm | 3 mm | 1.5–2.5 mm ² |
| PV-KST4/2.5II | 5.5–9 mm | 3 mm | 1.5–2.5 mm ² |
| PV-KBT4/2.5II | 5.5–9 mm | 3 mm | 1.5–2.5 mm ² |
| PV-KST4/6I | 3–6 mm | 5 mm | 4–6 mm ² |
| PV-KST4/6I | 3–6 mm | 5 mm | 4–6 mm ² |
| PV-KST4/6II | 5.5–9 mm | 5 mm | 4–6 mm ² |
| PV-KBT4/6II | 5.5–9 mm | 5 mm | 4–6 mm ² |

Technical data

| | |
|---------------------------------------|---|
| Rate current | max. 30 A (4 mm ² , 6 mm ²), 22 A (2.5 mm ²) |
| Max. system voltage | 1000 V |
| Contact material | Copper, tin-plated |
| Contact system | MC Multilam contacts |
| Protection degree | (when connected) IP 67 |
| “Snap in” | locking system |
| Protection against accidental contact | (when disconnected) IP 2X |
| Temperature range | –40 °C ... +90 °C |
| Protection class | II |

Type

| Type | Article numbers |
|--|-----------------|
| MC plug connector PV-KST 4/2.5I | 7200141201 |
| MC socket PV-KBT 4/2.5I | 7200142201 |
| MC plug connector PV-KST 4/2.5II | 7200141202 |
| MC socket PV-KBT 4/2.5II | 7200142202 |
| MC plug connector PV-KST 4/6I | 7200141501 |
| MC socket PV-KBT 4/6I | 7200142501 |
| MC plug connector PV-KST 4/6II | 7200141502 |
| MC socket PV-KBT 4/6II | 7200142502 |
| Branch plug PV-AZS4 | 7200143005 |
| Branch socket PV-AZB4 | 7200144005 |
| Crimping tool PV-CZM-19100 for 2.5/4/6 mm ² cross-section | 7200169010 |
| Insulation stripper PV-AZM for 1.5/2.5/4/6 mm ² cross-section | 7200139040 |
| Installation wrench set PV-MS | 7200169025 |
| PV-WZ4 SET (PV-CZM-19100 + PV-MS) | 7200169030 |
| PV-WZ-AD/GWD for MC 4 | 7200169035 |
| PV-WZ-AD4 for MC 4 | 7200169040 |

Electrical specifications and standard test conditions: 1000 W/m²; 25 °C; AM 1.5. We reserve the right to make modifications.